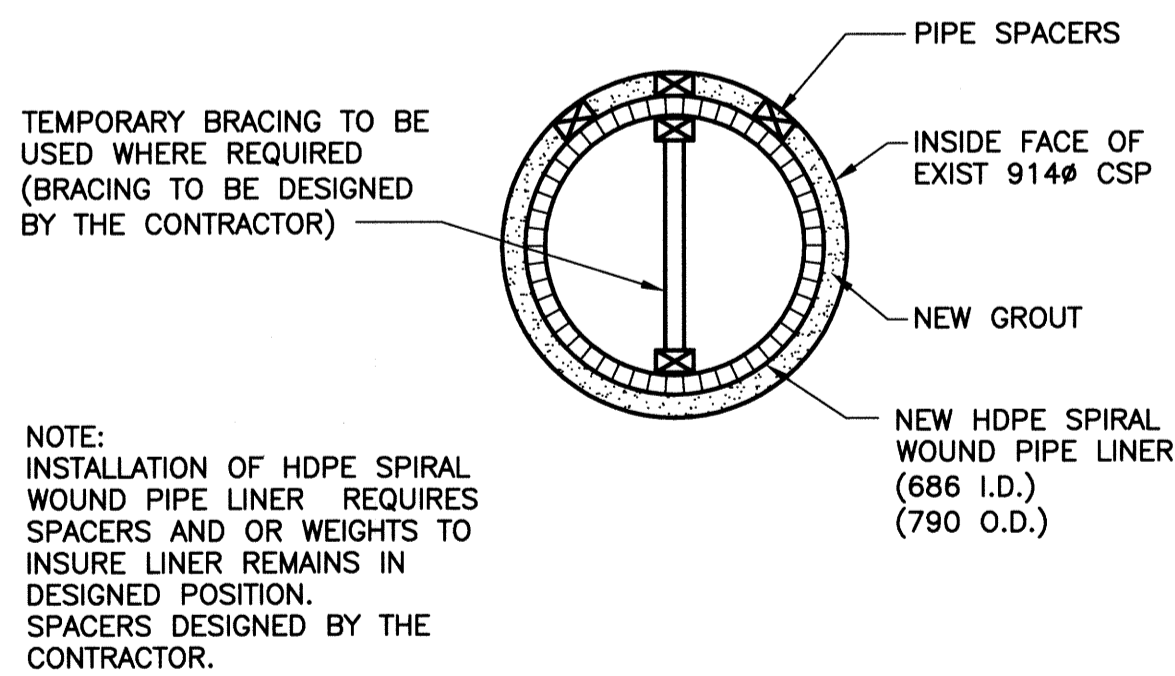
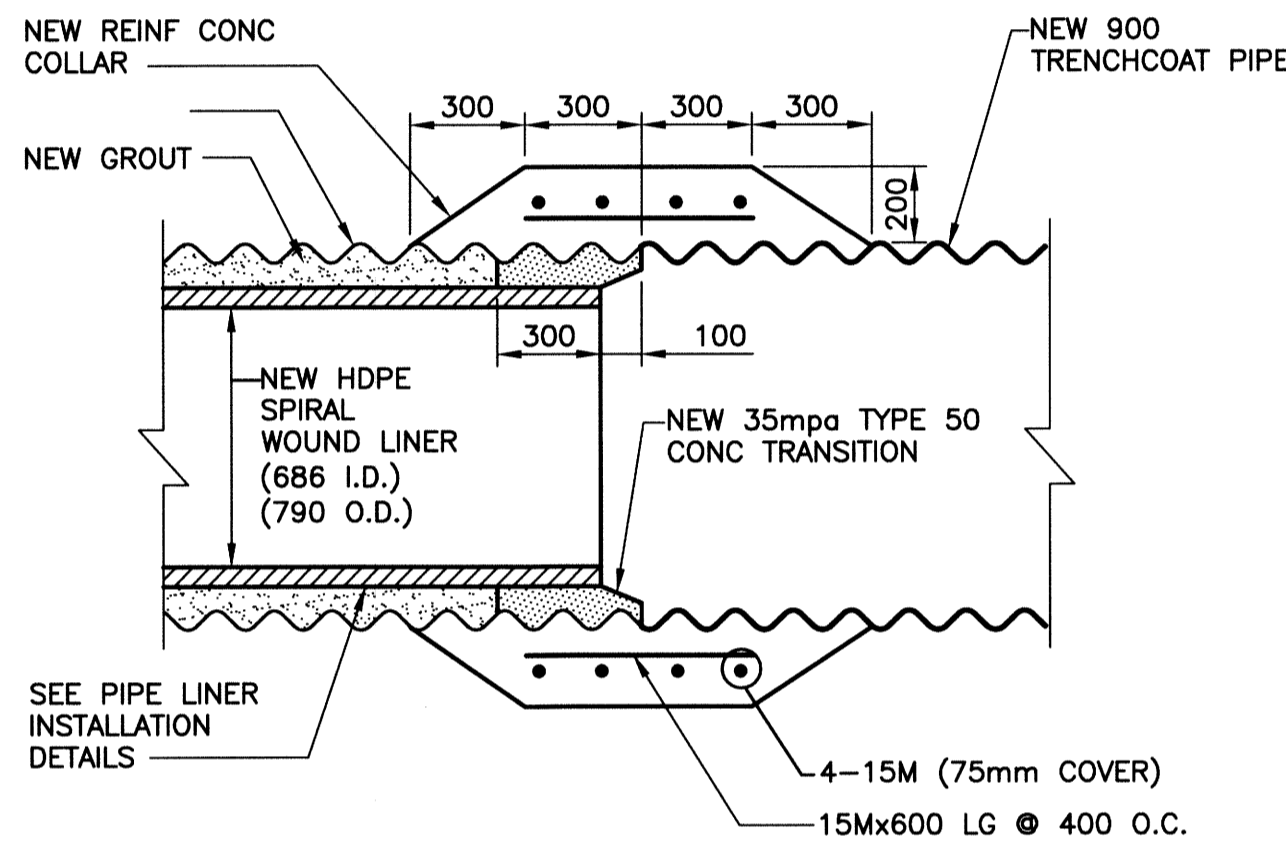
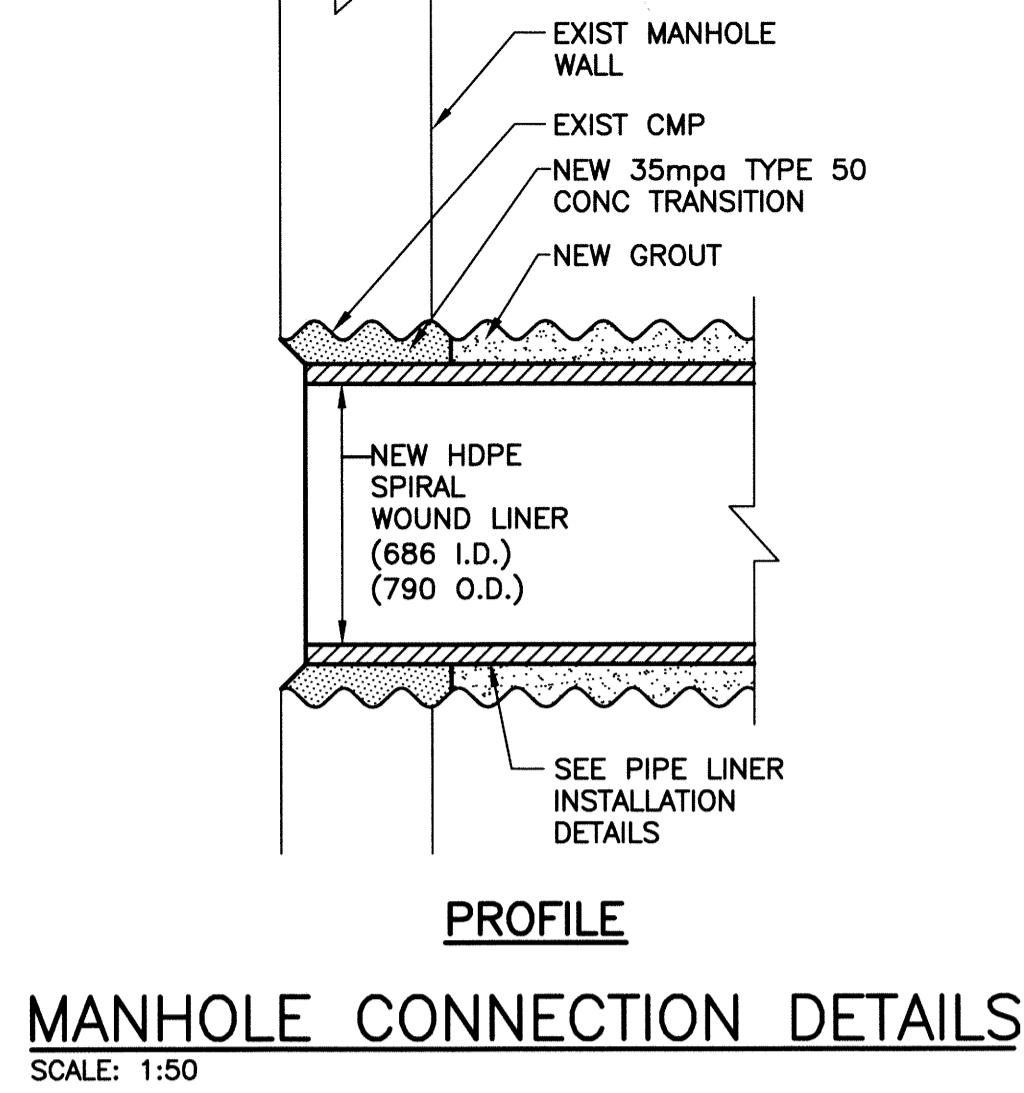
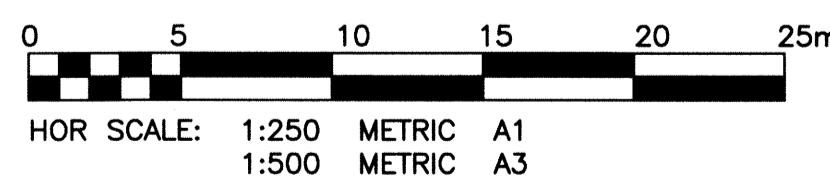
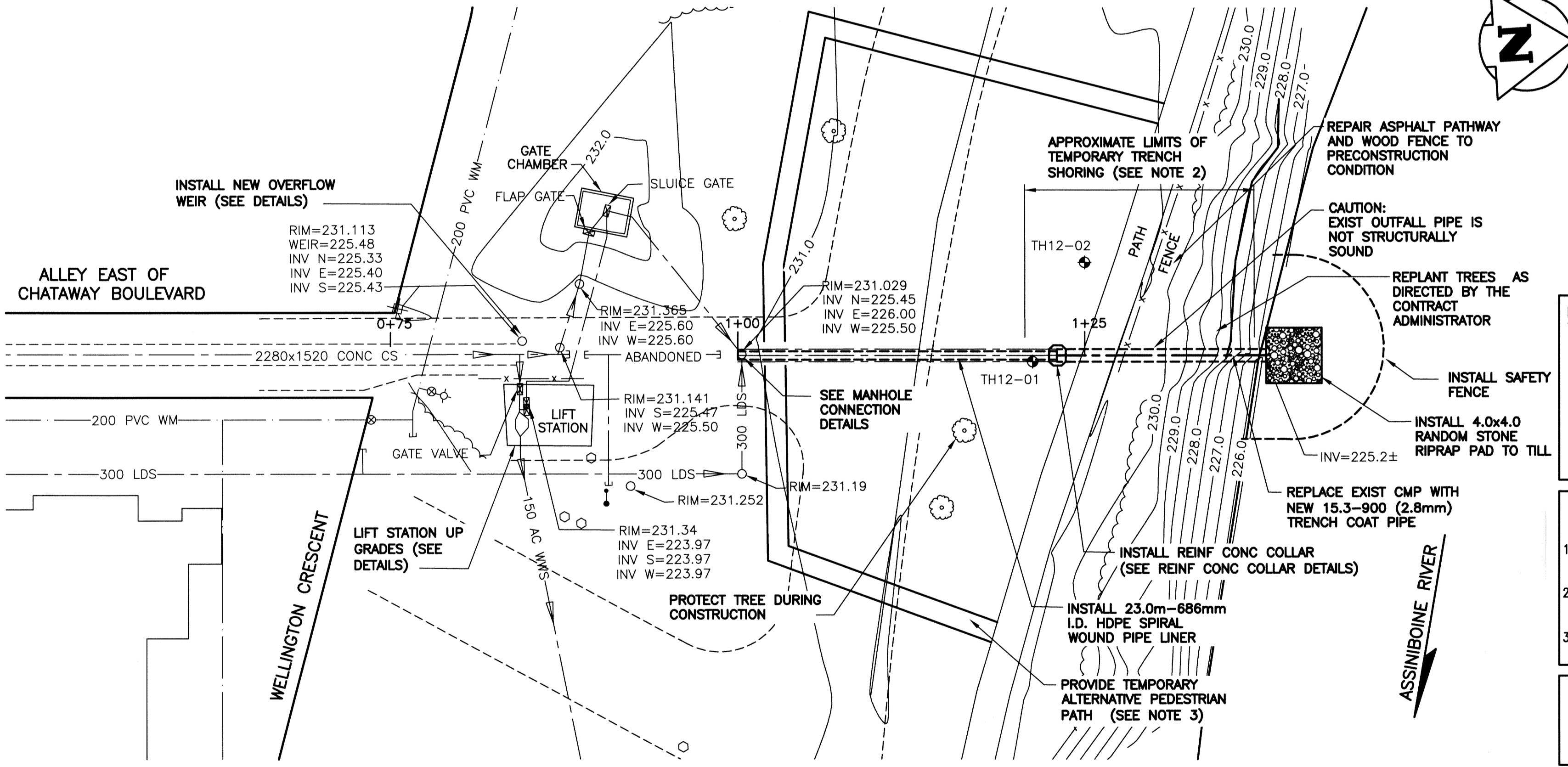
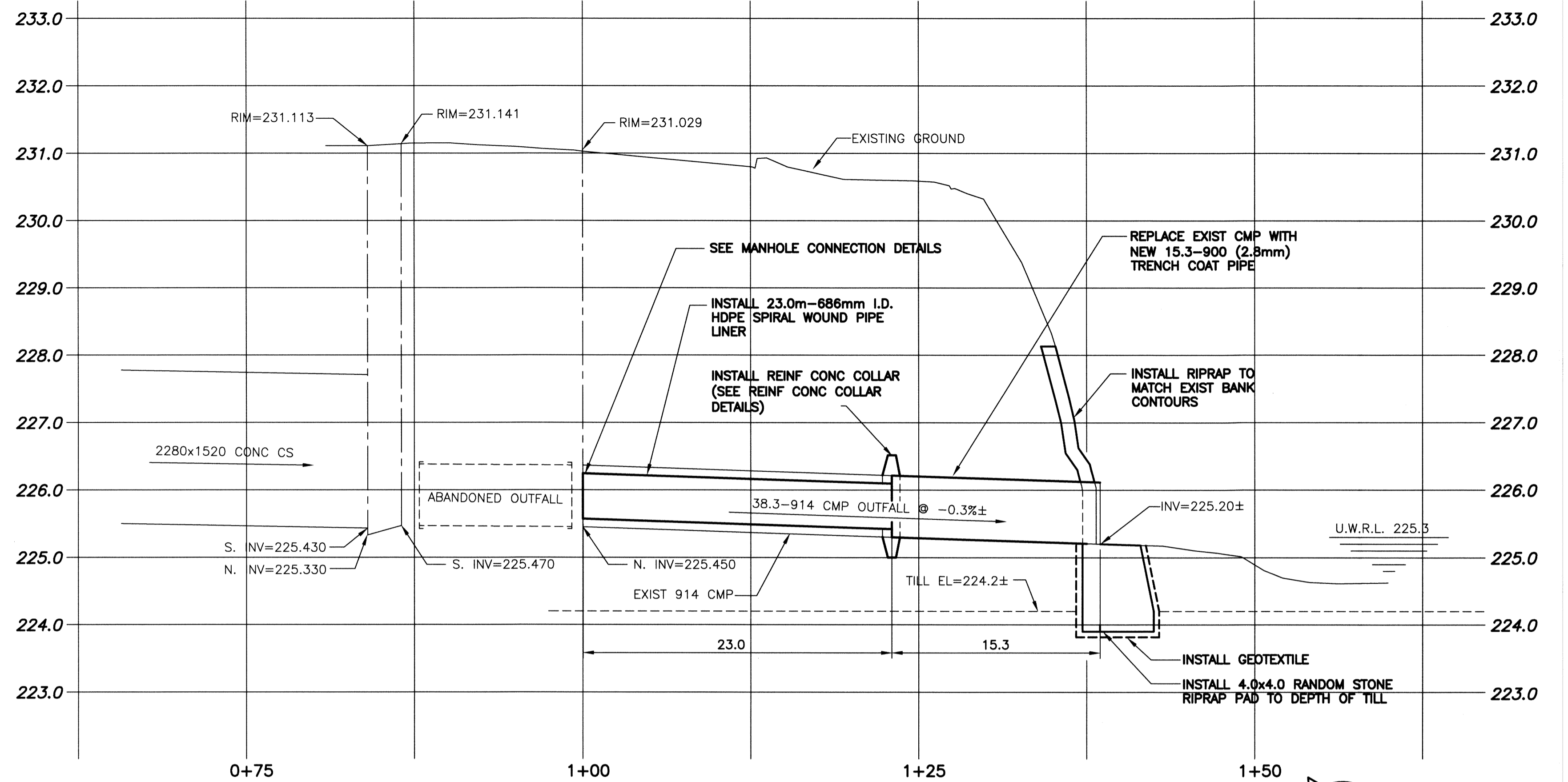


File Name: P:\Projects\2011\11-0107-33\Doc\Control\Released\DWG\11-0107-33_LD-6946-Rev 0.dwg - Tab: LD-6946 Plotted By: DBaroche 12/11/29 [Thu 1:13pm]



NOTE:

- NO STOCKPILING OF MATERIAL ON RIVERBANK. ALL EXCAVATED MATERIAL TO BE REMOVED FROM SITE.
- THE CONTRACTOR SHALL PROVIDE TEMPORARY TRENCH SHORING IN ACCORDANCE WITH SPECIFICATIONS.
- THE CONTRACTOR SHALL PROVIDE SNOW CLEARING AND SUFFICIENT SIGNAGE TO DIRECT USERS OF THE WELLINGTON CRESCENT SIDEWALK TO AN ALTERNATE TEMPORARY PEDESTRIAN PATH AS SHOWN.
- RIPRAP ABOVE THE UWRL (EL=225.3) TO BE SUB-CUT INTO THE RIVERBANK AND PLACED FLUSH TO ORIGINAL GROUND.



PROPERTY LIMITS DELINEATION

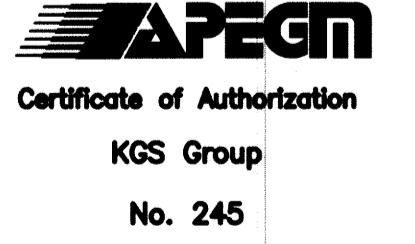
DELINEATION OF PROPERTY LIMITS AS SHOWN ON THIS DWG DOES NOT REPRESENT A "LEGAL SURVEY". KGS GROUP MAKES NO REPRESENTATION OR WARRANTY AS TO THE ACCURACY OF PROPERTY LIMITS DELINEATED ON THIS DWG, NOR ON THE DIMENSIONAL ACCURACY OF DWG FEATURES RELATIVE TO THOSE PROPERTY LIMITS.

WARNING

- NOTIFY THE GAS COMPANY OF THE PROPOSED LOCATION OF EXCAVATION.
- TAKE PRECAUTION TO AVOID DAMAGE TO GAS COMPANY INSTALLATIONS.
- SEE PROVINCIAL REGULATION 210/72 FOR DETAILS.

METRIC

WHOLE NUMBERS INDICATE MILLIMETRES
DECIMALIZED NUMBERS INDICATE METRES



EXISTING	LEGEND-PLAN	PROPOSED	EXISTING	LEGEND-PLAN	PROPOSED	EXISTING	LEGEND-PROFILE	PROPOSED
150 WM	WATERMAIN	150 WM	---	HYDRO	---			
⊕	HYDRANT	⊕	---	M.T.S.	---			
⊙	VALVE	⊙	---	PROPERTY LINE	---			
300 LDS	LAND DRAINAGE SEWER	300 LDS	+	SURVEY BAR	+			
250 WWS	WASTE WATER SEWER	250 WWS	+	LIGHT STANDARD	+			
○	MANHOLE	●	●	HYDRO POLE	●			
□	CATCH BASIN	■	■	GUY WIRE	—			
▽	CURB INLET	▽	▽	SIGN	○			
+	JUNCTIONS	+	+	BUSH LINE	~			
---	CULVERT	---	---	FENCE	---			
---	GAS	---	---	ELEVATION	32.231			

LOCATION APPROVED UNDERGROUND STRUCTURES

SUPV. U/G STRUCTURES DATE COMMITTEE

NOTE:
LOCATION OF UNDERGROUND STRUCTURES AS SHOWN ARE BASED ON THE BEST INFORMATION AVAILABLE BUT NO GUARANTEE IS GIVEN THAT ALL EXISTING UTILITIES ARE SHOWN OR THAT THE GIVEN LOCATIONS ARE EXACT. CONFIRMATION OF EXISTENCE AND EXACT LOCATION OF ALL SERVICES MUST BE OBTAINED FROM THE INDIVIDUAL UTILITIES BEFORE PROCEEDING WITH CONSTRUCTION.

NO.	ISSUED FOR TENDER	DATE	BY
0	ISSUED FOR TENDER	12/11/30	RBO
NO.	REVISIONS	DATE	BY

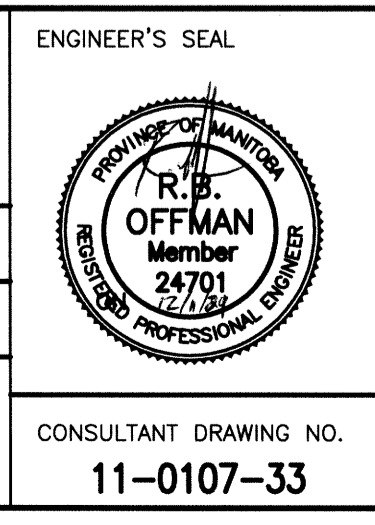
KGS GROUP CONSULTING ENGINEERS

DESIGNED BY RBO CHECKED BY RJH
DRAWN BY DMW APPROVED BY

HOR. SCALE: 1:250
VERTICAL: 1:50

RELEASED FOR CONSTRUCTION: DATE

CONSULTANT DRAWING NO. 11-0107-33



THE CITY OF WINNIPEG WATER & WASTE DEPARTMENT

2012 OUTFALL RENEWAL/REHABILITATION PROGRAM
CHATAWAY BOULEVARD OUTFALL (AS-60)
PLAN AND PROFILE

SHEET 01 OF 09
CAD FILE DRAWING NUMBER 11-0107-33
CITY DRAWING NUMBER LD-6946